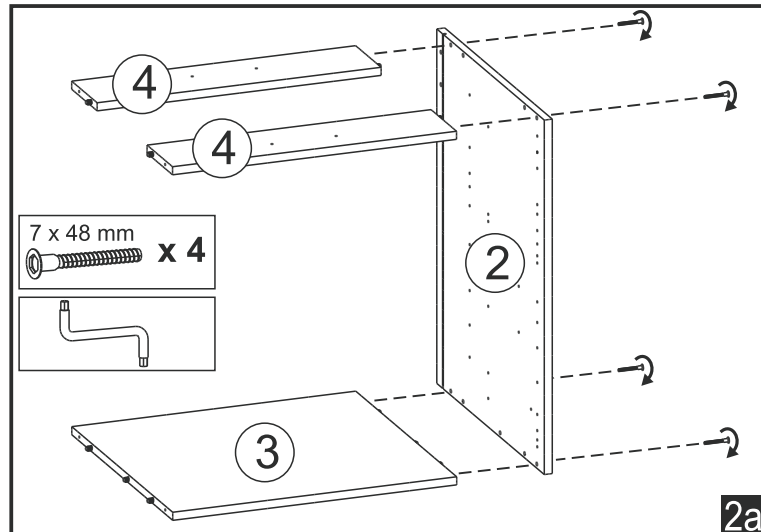
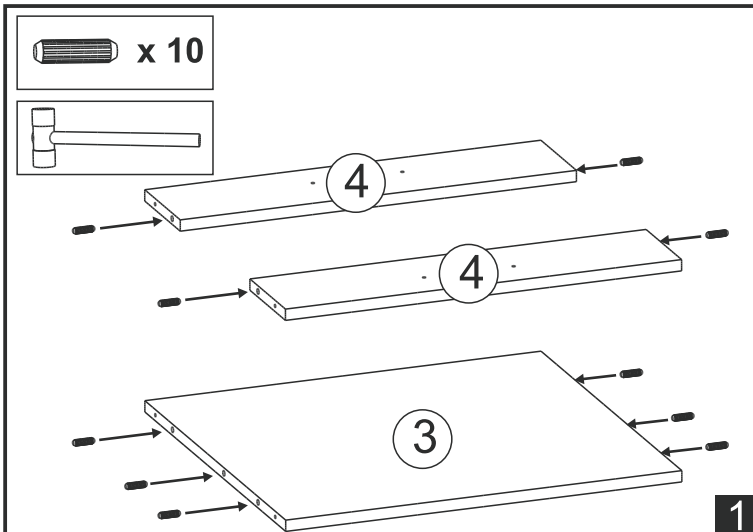
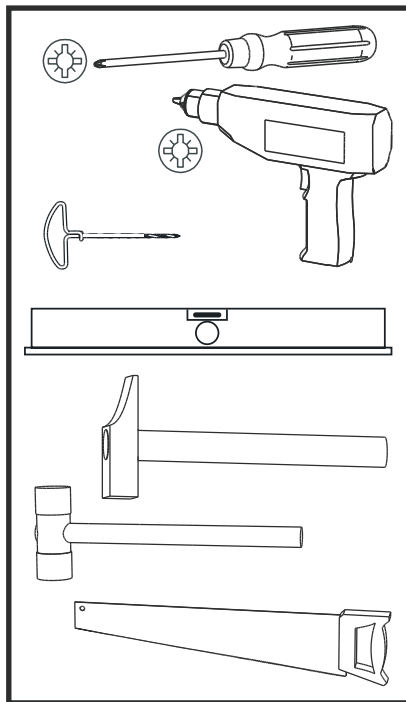
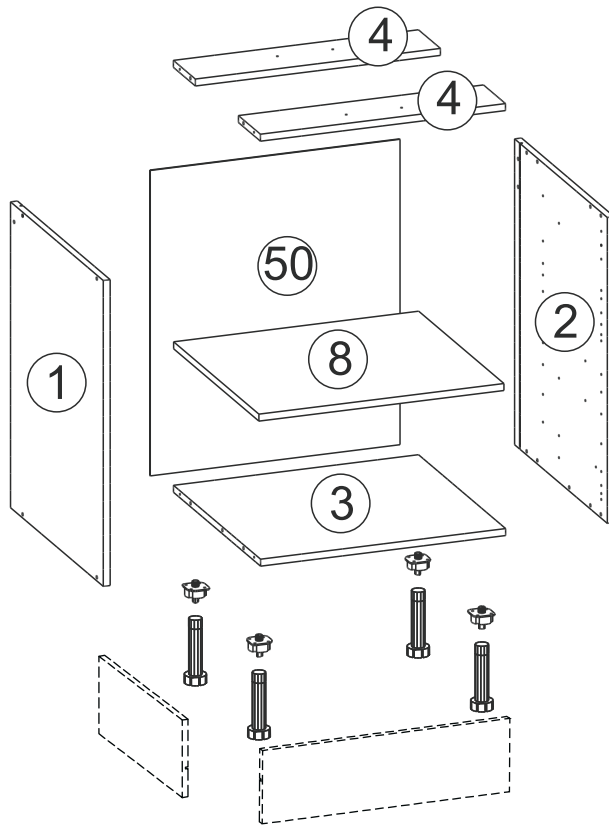
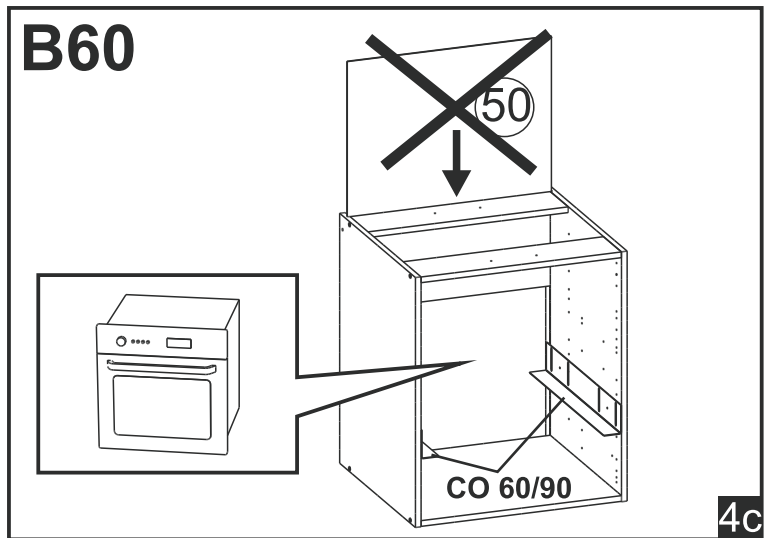
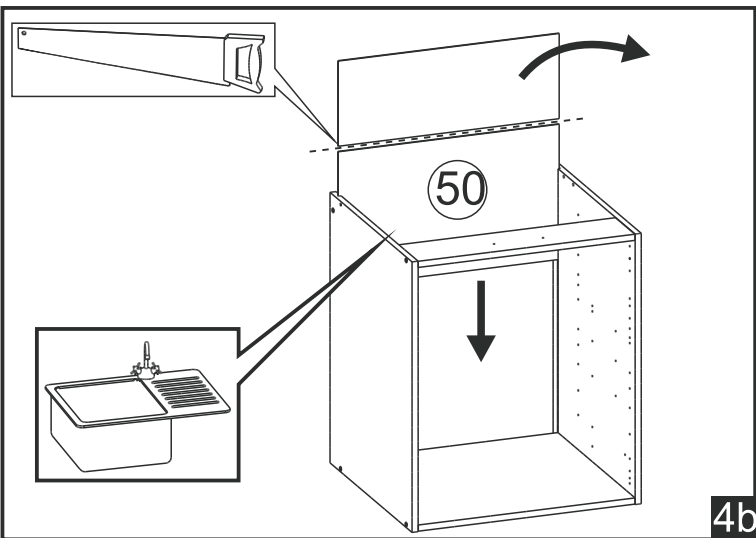
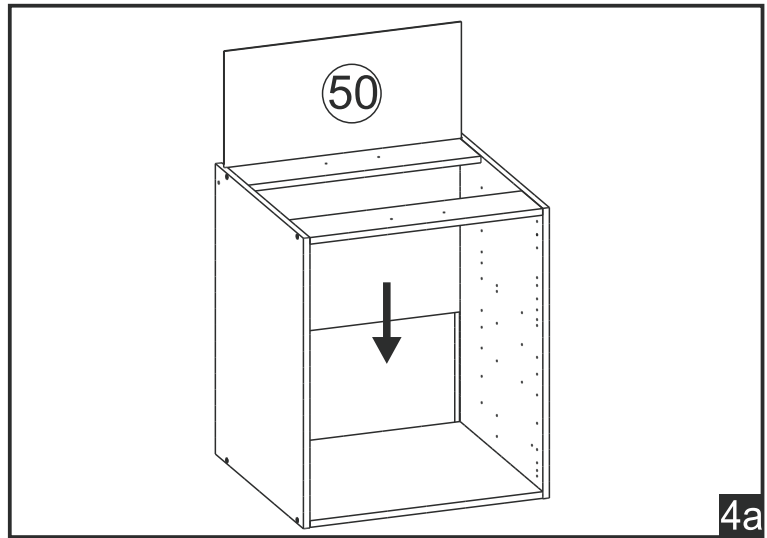
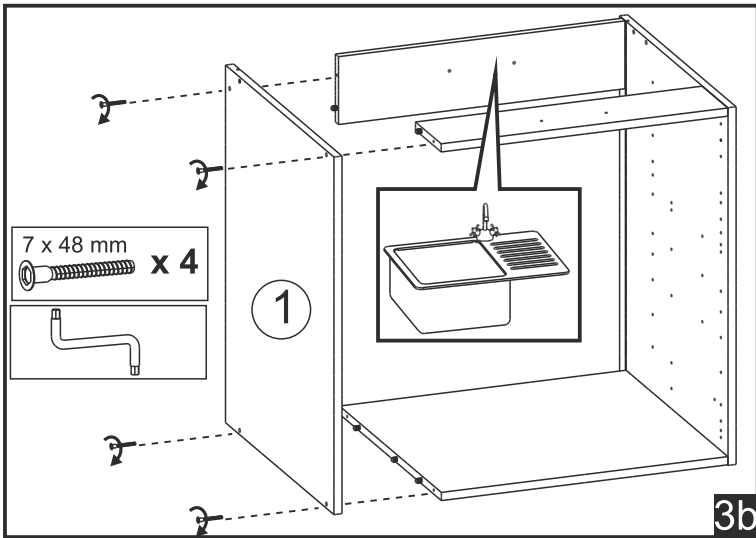
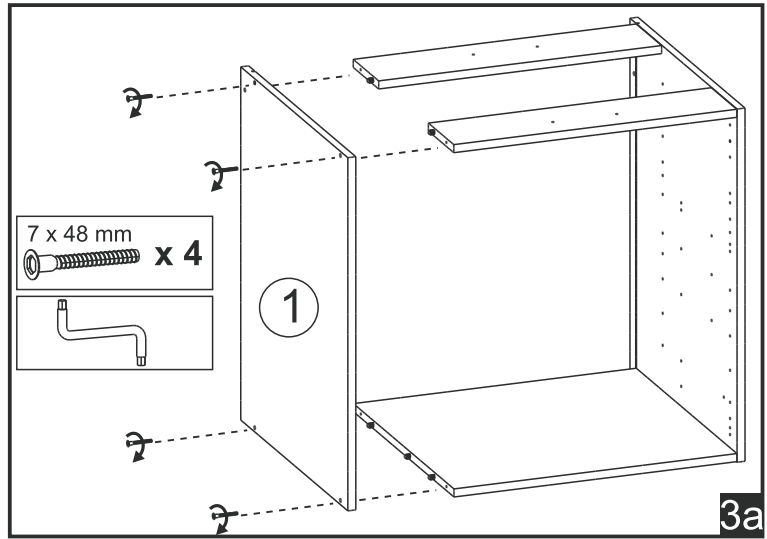
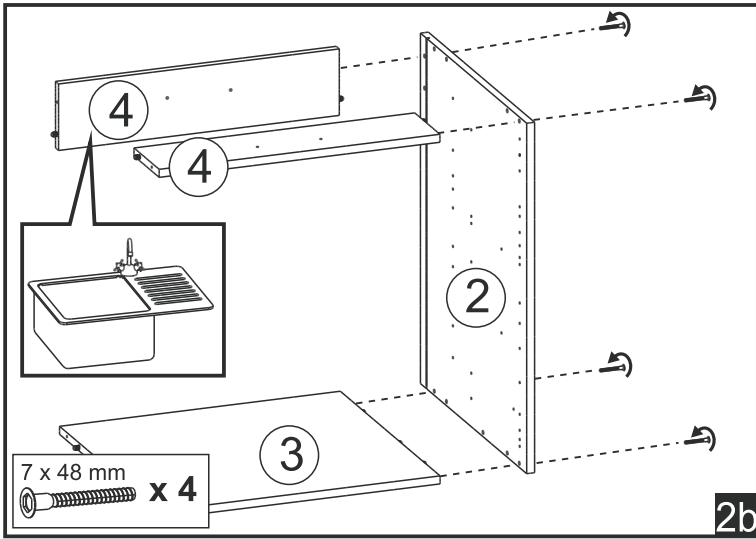
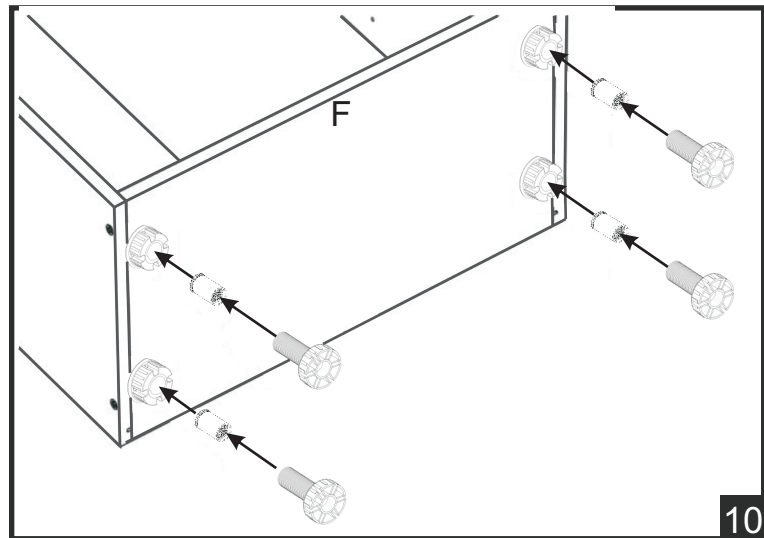
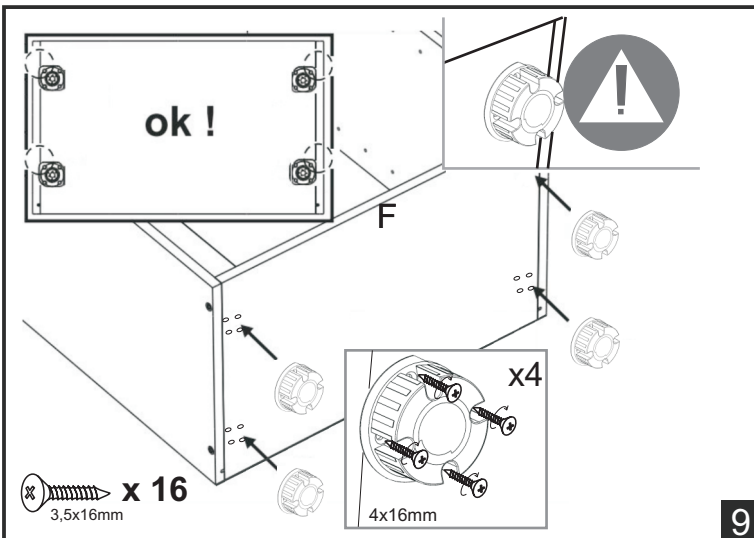
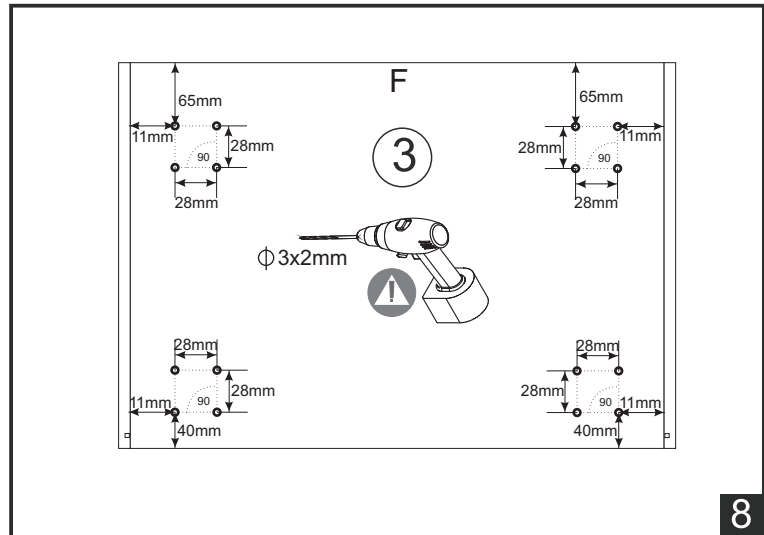
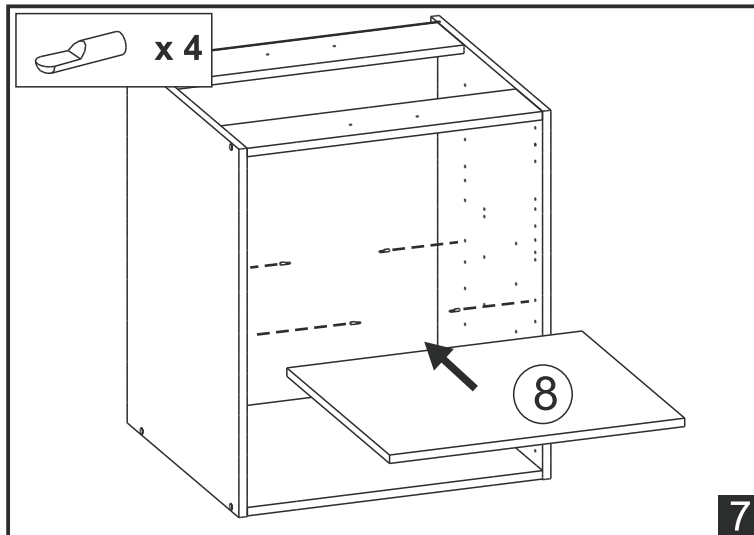
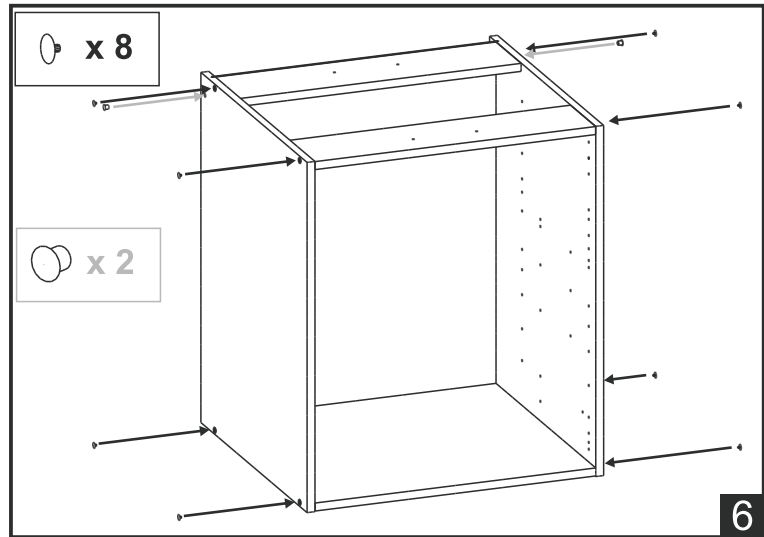
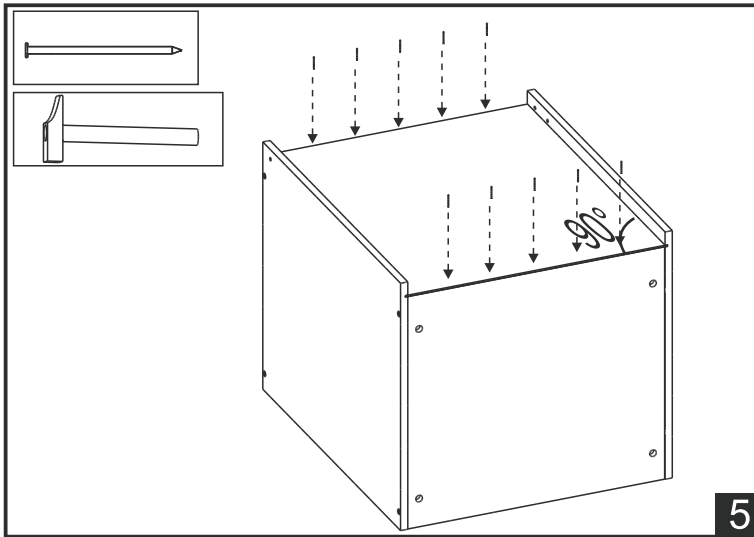


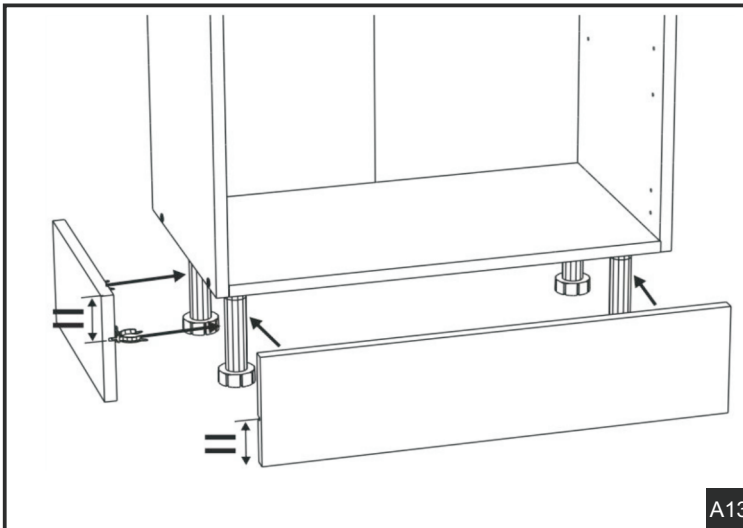
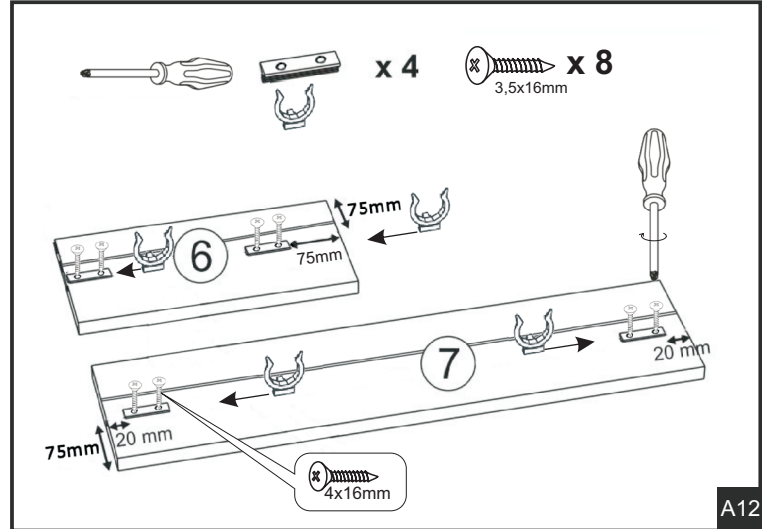
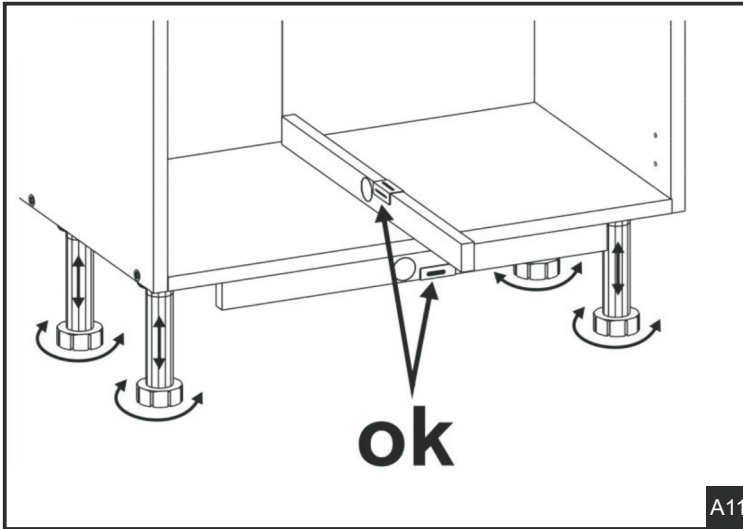
N° 306

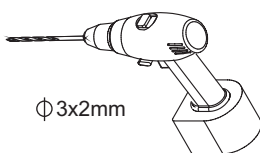
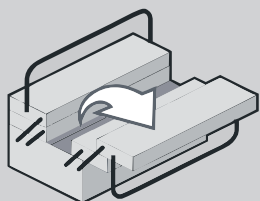
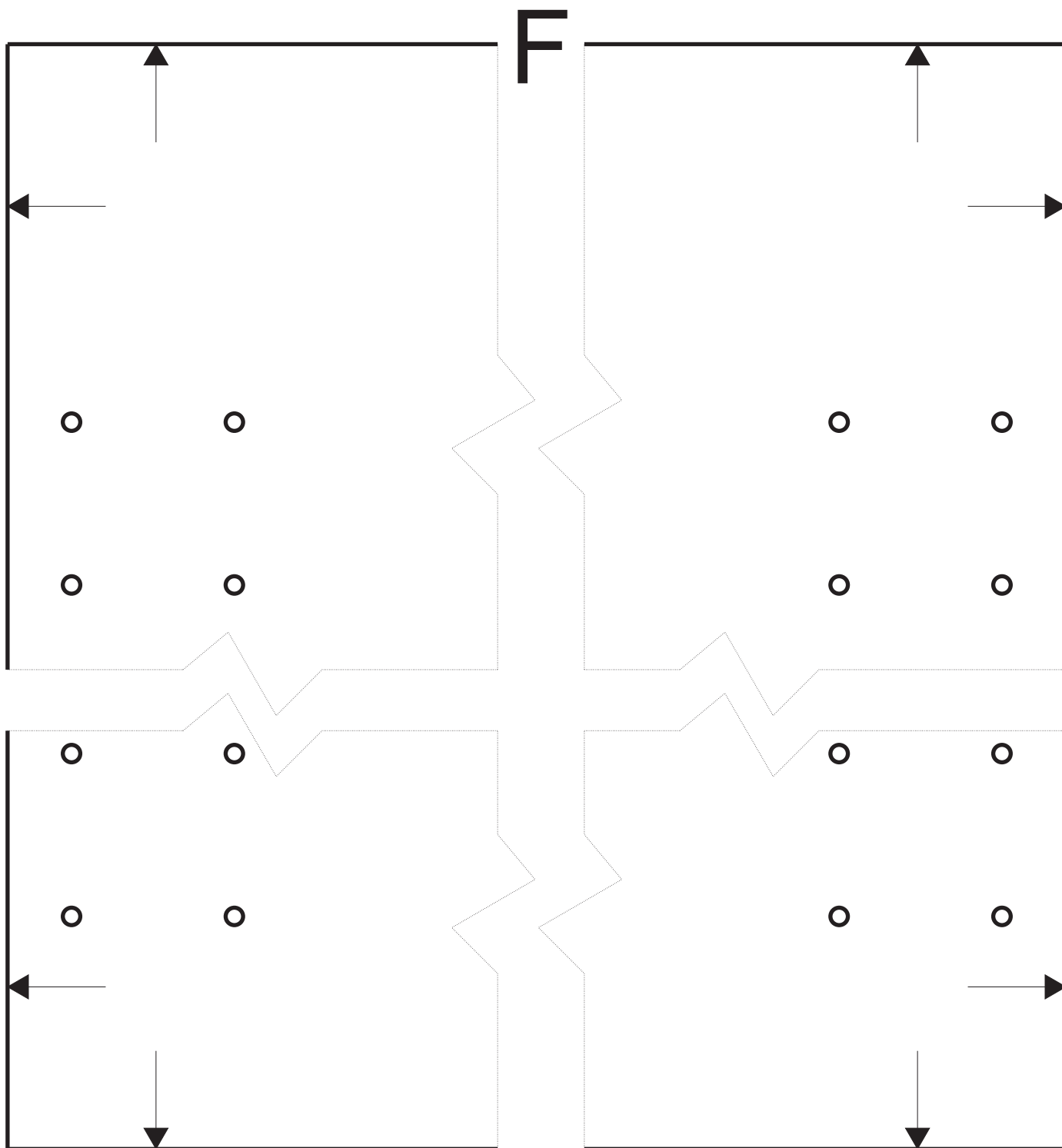
- | | | |
|--|-----------|------|
| | 7 x 48 mm | x 8 |
| | | x 8 |
| | | x 2 |
| | | x 10 |
| | | x 4 |
| | | x 16 |
| | | x 1 |
| | | x 4 |
| | | x 4 |
| | | x 4 |
| | 3,5x16mm | x 24 |











Ø 3x2mm

1:1